

Product data sheet

Specifications



Discrete input module, M340, 16 Inputs, 24 VDC sink

BMXDDI1602

Product availability: Stock - Normally stocked in distribution facility

Main

| | |
|---------------------------|-------------------------------|
| Range of Product | Modicon X80 |
| Product or Component Type | Discrete input module |
| Discrete input number | 16 |
| Discrete input type | Isolated |
| input type | Current sink (logic positive) |
| Discrete input voltage | 24 V DC positive |
| Discrete input current | 3.5 mA |

Complementary

| | |
|-----------------------------|--|
| Input compatibility | With 2-wire/3-wire proximity sensors IEC 60947-5-2 With 2-wire/3-wire proximity sensors IEC 61131-2 type 3 |
| Sensor power supply | 19...30 V |
| Current state 1 guaranteed | ≥ 2 mA |
| Current state 0 guaranteed | ≤ 1.5 mA |
| Input impedance | 6800 Ohm |
| Insulation resistance | > 10 MOhm 500 V DC |
| Power dissipation in W | 2.5 W |
| DC typical response time | 4 ms |
| DC maximum response time | 7 ms |
| Paralleling of inputs | Yes |
| Typical current consumption | 76 mA 3.3 V DC |
| MTBF reliability | 775000 H |
| Protection type | 1 external fuse per group of channel 0.5 A fast blow reverse polarity protection |
| Voltage detection threshold | < 14 V DC sensor fault > 18 V DC sensor OK |
| Status LED | 1 LED (Green) module operating (RUN) 1 LED per channel (Green) channel diagnostic 1 LED (Red) module error (ERR) 1 LED (Red) module I/O |
| Net Weight | 0.254 lb(US) (0.115 kg) |

Environment

| | |
|-------------------------|------|
| IP Degree of Protection | IP20 |
|-------------------------|------|

Price is "List Price" and may be subject to a trade discount – check with your local distributor or retailer for actual price.

| | |
|--|--|
| Directives | 2014/35/EU - low voltage directive 2014/30/EU - electromagnetic compatibility |
| Environmental characteristic | Fungal spore resistant class 3B2 |
| Dielectric strength | 1500 V AC 50/60 Hz 1 minute, primary/secondary |
| Vibration resistance | 3 gn |
| Shock resistance | 30 gn |
| Ambient Air Temperature for Storage | -40.0000000000...185.0000000000 °F (-40...85 °C) |
| Ambient Air Temperature for Operation | 32.0000000000...140.0000000000 °F (0...60 °C) |
| Relative humidity | 5...95 % 131.0000000000 °F (55 °C) without condensation |
| Operating altitude | 0...6561.68 ft (0...2000 m) 2000...5000 m with derating factor |

Ordering and shipping details

| | |
|--------------------------|---------------|
| Category | US1PC3418160 |
| Discount Schedule | PC34 |
| GTIN | 3595863910001 |
| Returnability | Yes |
| Country of origin | ID |

Packing Units

| | |
|-------------------------------------|----------------------------|
| Unit Type of Package 1 | PCE |
| Number of Units in Package 1 | 1 |
| Package 1 Height | 2.165 in (5.500 cm) |
| Package 1 Width | 4.331 in (11.000 cm) |
| Package 1 Length | 4.567 in (11.600 cm) |
| Package 1 Weight | 5.573 oz (158.000 g) |
| Unit Type of Package 2 | S02 |
| Number of Units in Package 2 | 15 |
| Package 2 Height | 5.906 in (15.000 cm) |
| Package 2 Width | 11.811 in (30.000 cm) |
| Package 2 Length | 15.748 in (40.000 cm) |
| Package 2 Weight | 6.504 lb(US) (2.950 kg) |
| Unit Type of Package 3 | P06 |
| Number of Units in Package 3 | 240 |
| Package 3 Height | 29.528 in (75.000 cm) |
| Package 3 Width | 23.622 in (60.000 cm) |
| Package 3 Length | 31.496 in (80.000 cm) |
| Package 3 Weight | 114.640 lb(US) (52.000 kg) |

Contractual warranty

| | |
|-----------------|-----------|
| Warranty | 18 months |
|-----------------|-----------|

Sustainability

Green Premium™ label is Schneider Electric's commitment to delivering products with best-in-class environmental performance. Green Premium promises compliance with the latest regulations, transparency on environmental impacts, as well as circular and low-CO₂ products.

Guide to assessing product sustainability is a white paper that clarifies global eco-label standards and how to interpret environmental declarations.

[Learn more about Green Premium >](#)

[Guide to assess a product's sustainability >](#)



Transparency RoHS/REACH

Well-being performance

 Mercury Free

 RoHS Exemption Information Yes

Certifications & Standards

Reach Regulation [REACH Declaration](#)

Eu RoHS Directive Pro-active compliance (Product out of EU RoHS legal scope)

China RoHS Regulation [China RoHS declaration](#)

Environmental Disclosure [Product Environmental Profile](#)

Weee The product must be disposed on European Union markets following specific waste collection and never end up in rubbish bins.

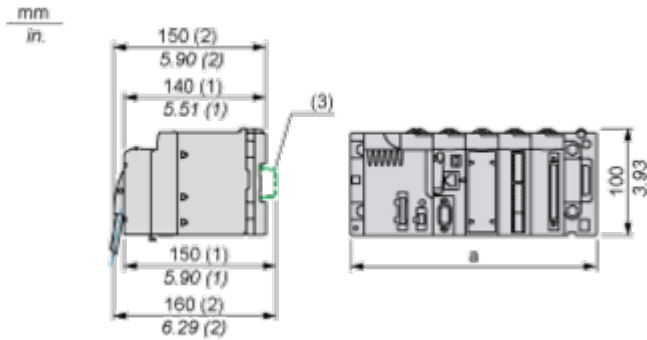
Circularity Profile [End of Life Information](#)

California Proposition 65 WARNING: This product can expose you to chemicals including: Lead and lead compounds, which is known to the State of California to cause cancer and birth defects or other reproductive harm. For more information go to www.P65Warnings.ca.gov

Dimensions Drawings

Modules Mounted on Racks

Dimensions



(1) With removable terminal block (cage, screw or spring).

(2) With FCN connector.

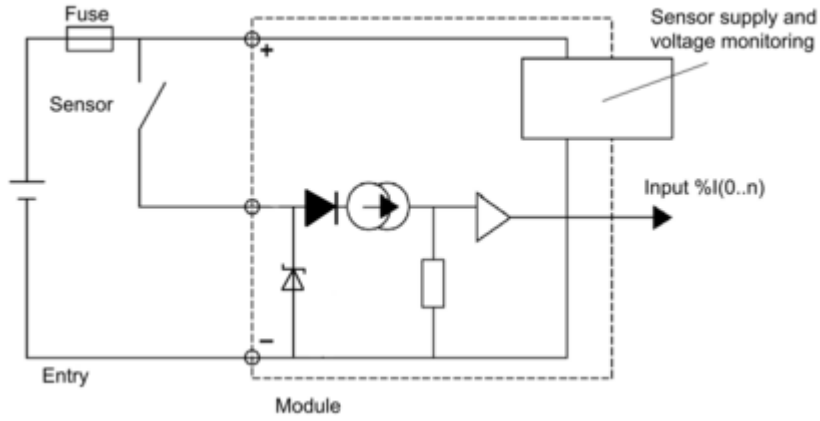
(3) On AM1 ED rail: 35 mm wide, 15 mm deep. Only possible with BMXXBP0400/0400H/0600/0600H/0800/0800H rack.

| Rack references | a in mm | a in in. |
|----------------------------|---------|----------|
| BMXXBP0400 and BMXXBP0400H | 242.4 | 09.54 |
| BMXXBP0600 and BMXXBP0600H | 307.6 | 12.11 |
| BMXXBP0800 and BMXXBP0800H | 372.8 | 14.68 |
| BMXXBP1200 and BMXXBP1200H | 503.2 | 19.81 |

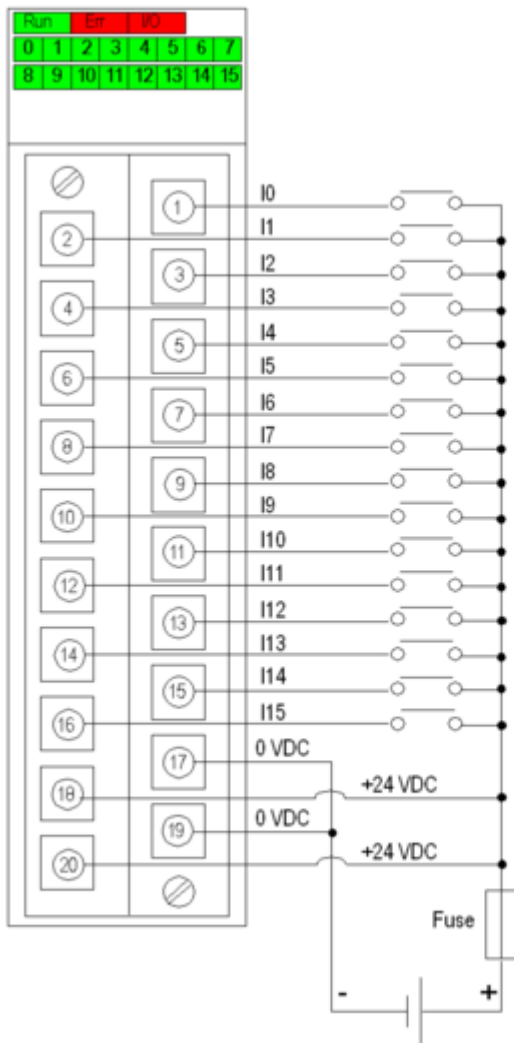
Connections and Schema

Connecting the Module

Input Circuit Diagram



Module Connection



power supply 24 VDC
fuse fast blow fuse of 0.5 A